



Grain Operations
CBH GROUP

DATE: _____

RECORD: _____

FILE: _____

CO-OPERATIVE BULK HANDLING LIMITED
ABN 29 256 604 947

Gayfer House
30 Delhi Street, West Perth
Western Australia 6005

GPO Box L886
Perth WA 6842

Tel: (08) 9237 9600
Fax: (08) 9322 3942
Email: info@cbh.com.au

www.cbh.com.au

OUR REF: 1242274
YOUR REF:
ENQ: Tim Dolling
DIRECT LINE: 08 9216 6094

8 August 2012

Mr Craig Pursey
Planning Officer
Shire of Jerramungup
PO Box 92
JERRAMUNGUP WA 6337

Dear Craig

APPLICATION FOR PLANNING APPROVAL

I refer to the requirement to transfer grain from the 2011/12 harvest within the Jacup grain receival site. Proposed development includes compacting existing ground for the open bulkhead pad and ground conveyor, bitumen sealing beneath and installing a ground conveyor and installing an open bulkhead.

Please find attached completed, application for planning approval form and drawings in duplicate. The planning application fee can be paid by electronic fund transfer and request an invoice be issued with advice of the turnaround times for assessment and determination of the application.

An application for building permit will be submitted for the open bulkhead and I await formal advice of determination of the application for planning approval.

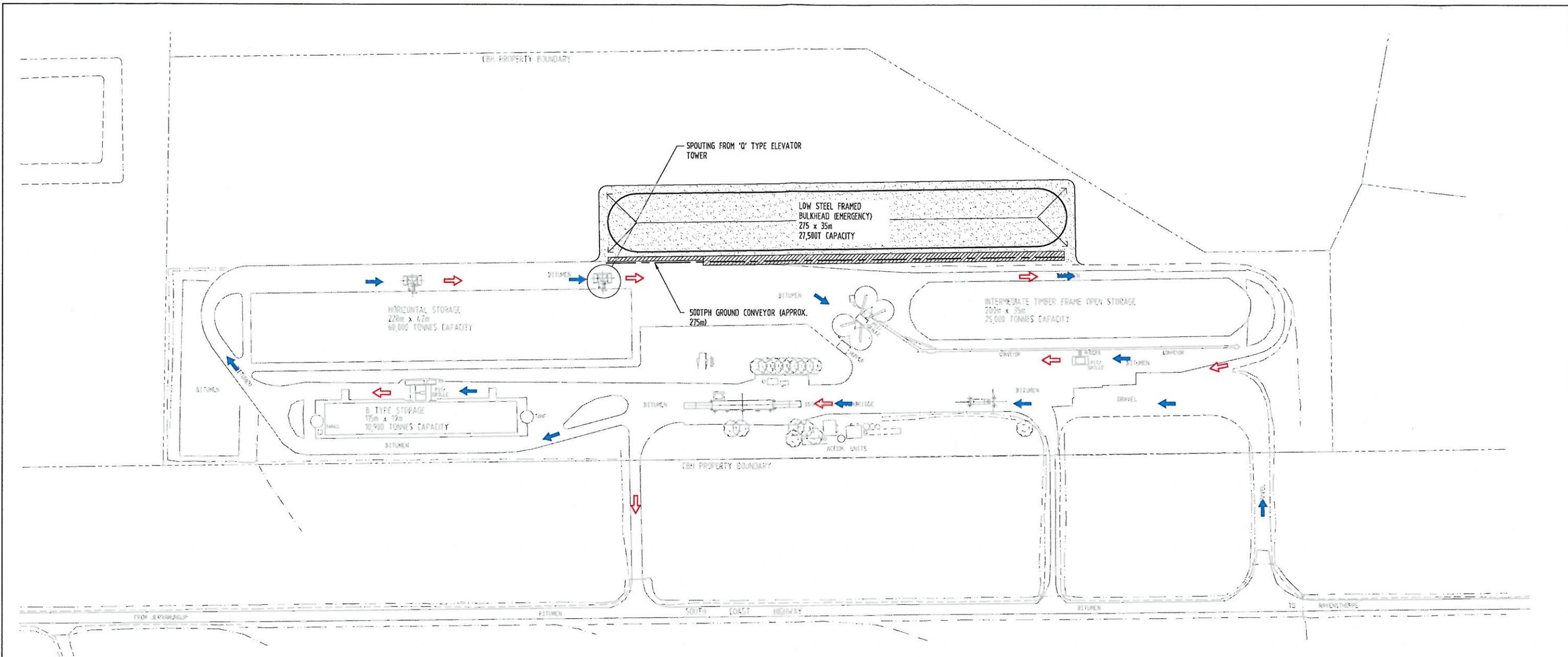
If you have any enquiries and to arrange prompt EFT of the fee, please contact Tim Dolling, Planning Coordinator, on 08 9216 6094, 0439 969 835 or email tim.dolling@cbh.com.au.

Yours sincerely

For: Co-operative Bulk Handling Limited

Colin Tutt
General Manager

Enc



	EXISTING SOIL TO BE WATERBOUND & COMPACTED TO 95% MODIFIED MAX DRY DENSITY	12,350m ²
	AREA OF BITUMEN	1,350m ²

SCOPE OF EQUIPMENT / CIVIL WORKS

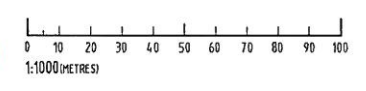
- INSTALL**
- 1 x GROUND CONVEYOR (APPROX. 280m)
 - 1 x OPEN BULKHEAD LOW STEEL FRAME (275m)
 - 1,350m² BITUMEN
 - 2 WAY VALVE IN TOWER SPOUT RUN
 - APPROX. 15m 450sq SPOUTING INCLUDING 2 ELBOWS
 - SPOUTING SUPPORT TRESTLE

LEGEND

	TRAFFIC MOVEMENTS (TRUCKS FULL)
	TRAFFIC MOVEMENTS (TRUCKS EMPTY)
	DRAINAGE

CHECK PRINT
 DATE 25.07.12
 CHK'D BY _____ DATE _____
 B/DRAFT _____ DATE _____

PRELIMINARY ISSUE
 DO NOT USE FOR CONSTRUCTION
 DATE 25.07.12



COPYRIGHT ©
 THIS DRAWING AND THE CONTENTS DEPICTED OR WRITTEN THEREON, WHETHER IN WHOLE OR IN PART, IS THE EXCLUSIVE INTELLECTUAL PROPERTY OF CBH ENGINEERING PTY LTD. AND SHOULD NOT BE REPRODUCED OR USED FOR ANY PURPOSE WITHOUT THE EXPRESS WRITTEN APPROVAL OF CBH ENGINEERING PTY LTD.



CBH HEAD OFFICE
 30 DELIA STREET, WEST PERTH W.A. 6005
 PH (08) 9237 9400 FAX (08) 9312 3912

CBH ENGINEERING
 40 MIGUEL ROAD BIRRA LAKE, WA 6163
 TEL (08) 9236 5350 FAX (08) 9236 5370

DO NOT SCALE FROM THIS DRAWING - ASK !!!

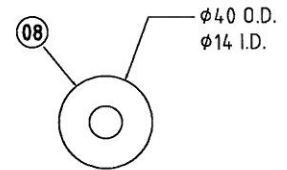
REV	DATE	REVISIONS	BY	CHK	APPD	REV	DATE	REVISIONS	BY	CHK	APPD
A	24.07.12	ISSUED AS CHECK PRINT AND FOR REVIEW	JB								

SCALE	AS SHOWN
DESIGNED	
DES. CHECK	
DRAWN	J. Bullingham 24.07.12
CHECKED	
APPROVED	

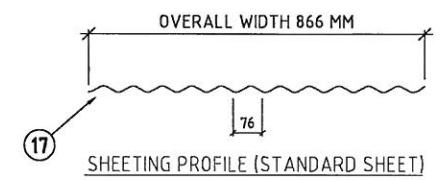
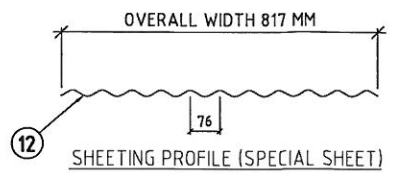
DRAWING TITLE
**SITE DEVELOPMENT
 ADDITIONAL INFRASTRUCTURE
 2 x EMERGENCY OBH & CONVEYOR
 ESTIMATING PLAN**

SITE	JACUP	SHT. REC.	B1
PROJECT	2012 HARVEST PROGRAM		
DRAWING NO.	2012-594-0070	REV.	C

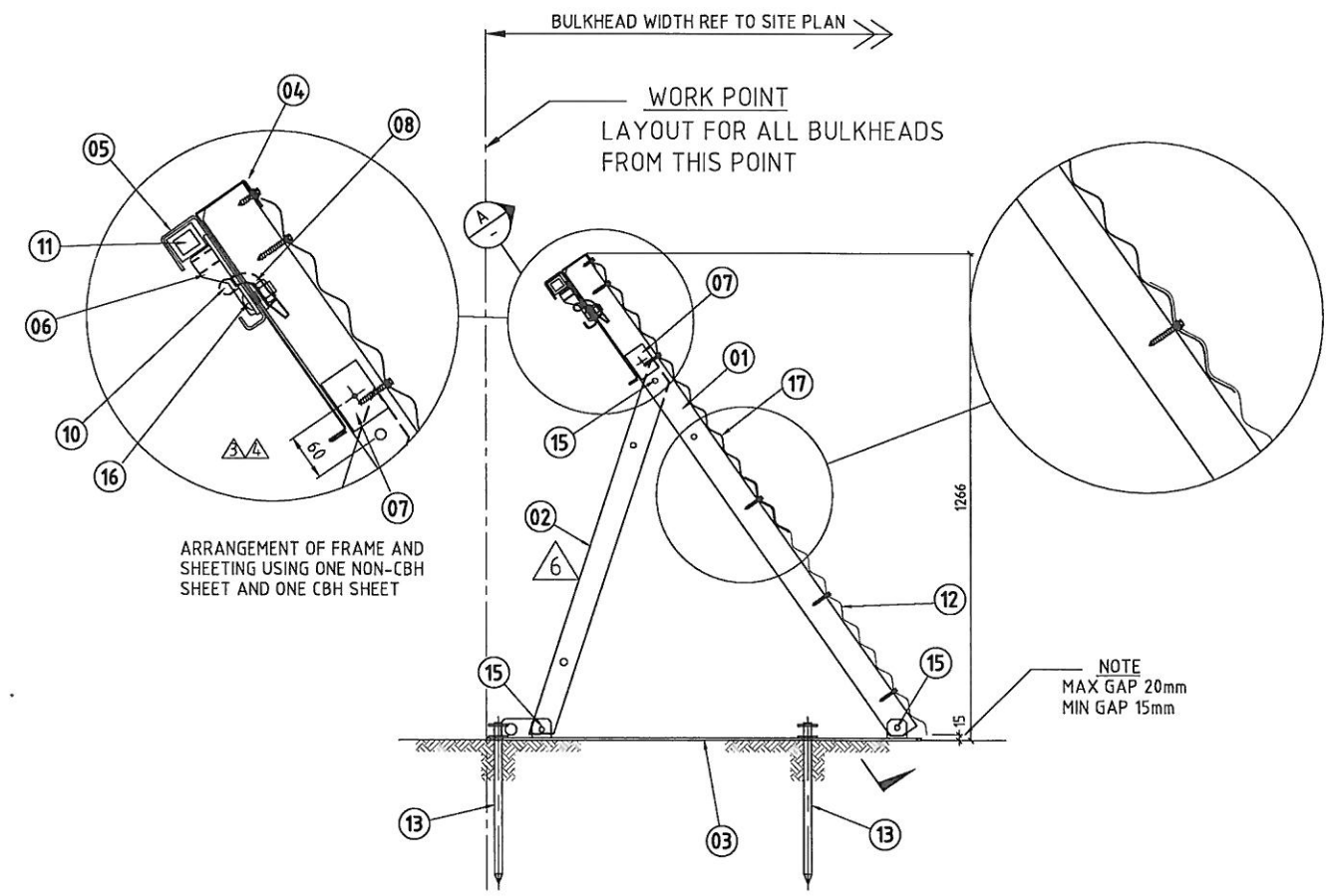
MATERIAL LIST					
ITEM	QTY.	SECTION	LENGTH	REMARKS	MASS
01	3	FRONT FRAME	-	MK-STD-034-0012-03	-
02	3	BACK FRAME	-	MK-STD-034-0012-02	-
03	3	BOTTOM FRAME	-	MK-STD-034-0012-01	-
04	1	CAPPING	-	MK-STD-034-0011-01	-
05	1	CLAMP	-	MK-STD-034-0011-02	-
06	3	PLASTIC TOGGLE	-	NOVAPLAS BW-PN 117849	-
07	3	BRACKET	-	MK-STD-034-0011-04	-
08	3	NYLON SPACER	-	MK-STD-034-0010-06	-
09	-	-	-	-	-
10	2	LOCKING PIN	-	MK-STD-034-0011-10	-
11	1	32x32x6.3 FRP HOLLOW SQUARE BAR	2950	FRP ENGINEERING	-
12	2	47mm CUSTOM ORB - ZINCALUME	3200	SPECIAL SHEET	-
13	6	Ø20 BULKHEAD PIN	420	SEE DWG-STD-034-0004-1	-
14	25	HI-TEK HEX 14-20 with seal	22	-	-
15	9	M12 BOLT C/W& NUT	130	GALV	-
16	3	M12 CUP HEAD BOLT C/W & NYLOC NUT & WAS	5	GALV	-
17	2	47mm CUSTOM ORB - ZINCALUME	3200	STANDARD SHEET	-
18	1	D.B.H CONSTRUCTION SPECIFICATIONS 2004	-	DOC'S #473680	-
19	1	TARP TENSION LEVER	-	STD-032-0000-01	-



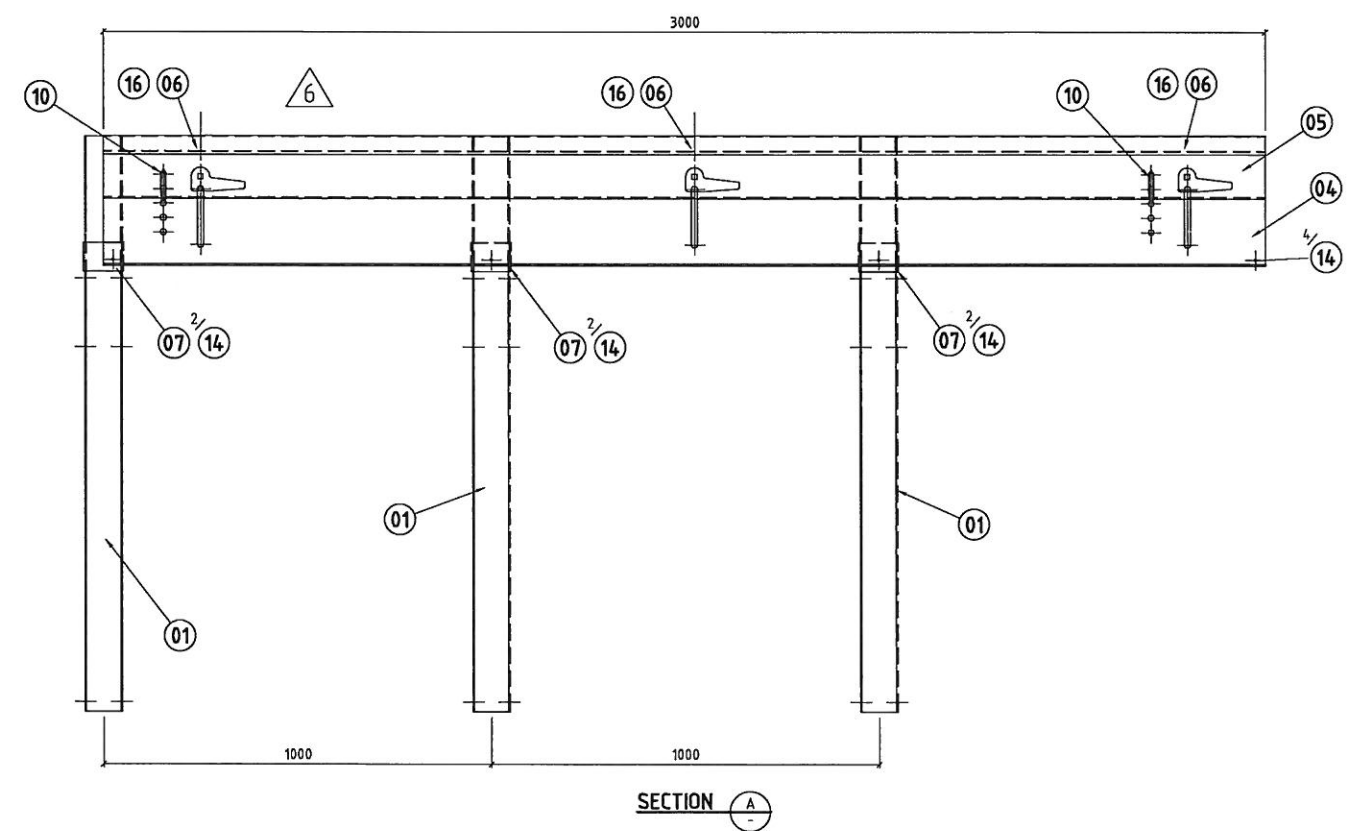
SPACER - 3 REQUIRED AS DRAWN - MARK STD-034-0010-06



OPEN BULKHEAD
CONSTRUCTION SPECIFICATIONS 2006
DOC'S #473680
MANUAL TO BE SUPPLIED TO CONTRACTORS ERECTING BULKHEADS



2005 PREFERED ARRANGEMENT



MK.STD-034-0012-01 & MK.STD-034-0012-02 OMITTED FOR CLARITY

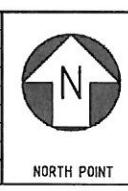
COPYRIGHT:
THIS DRAWING AND THE CONTENTS DEPICTED OR WRITTEN THEREON, WHETHER IN WHOLE OR IN PART, IS THE EXCLUSIVE INTELLECTUAL PROPERTY OF BULKWEST PTY LTD. AND SHOULD NOT BE REPRODUCED OR USED FOR ANY PURPOSE WITHOUT THE EXPRESS WRITTEN APPROVAL OF BULKWEST PTY LTD.

40 MIGUEL ROAD BIBRA LAKE, WA 6163
TEL (08) 9236 5350 FAX (08) 9236 5370

30 DELHI STREET, WEST PERTH W.A 6005
PH (08) 9237 9408
FX (08) 9322 3942

DO NOT SCALE FROM THIS DRAWING - ASK!!!

REF	DRG NO	REFERENCE DRAWING TITLE	REV	DATE	REVISIONS	BY	CHK'D	APP'D
-	-	-	7	24.11.05	ITEM 11 CHANGED TO 2958 FROM 3848 S.A.R.# 179	VP	EN	BWE
-	-	-	6	15.07.05	ITEM 9 DELETED & ITEM 8 NOW 3mm THICK NEW LOCKING TOGGLE ADDED	VP	EN	PL
-	-	-	5	11.07.05	HOLD REMOVED ITEM 6 NEW PART	VP	EN	BWE
-	-	-	4	21.08.04	ITEM 14 REPOSITIONED	JR	BW	BWE
-	-	-	3	11.08.04	ITEM 7 MOVED UP 9mm	HB	BW	BWE
-	-	-	10	25.01.10	REF TO TARP TENSION DRAWING ADDED	VP	EAL	EAL
-	-	-	9	17.03.06	NOW PREFERRED 30 VERSION DELETED SAVED IN REV 8 ITEM 14 ADDED	VP	JF	BWE
-	-	-	8	23.01.06	ITEM 17 ADDED & TEK SCREWS SHOWN GENERAL REVISION	VP	EN	BWE



SCALE	NTS	DATE	SITE
DRAWN	JHR	19.03.04	
CHECKED	EM	19.03.04	
DESIGNED	BWE	03.04	
APPROVED	BWE	03.04	

DRAWING TITLE
1.2m PORTABLE BULKHEAD
FLAT BOTTOM FRAME & TARP CLAMPING,
TENSIONING - GENERAL ARRANGEMENT

PROJECT	SHT. SIZE
STD-034-0010	B1
DRAWING NO	REV#
STD-034-0010	10